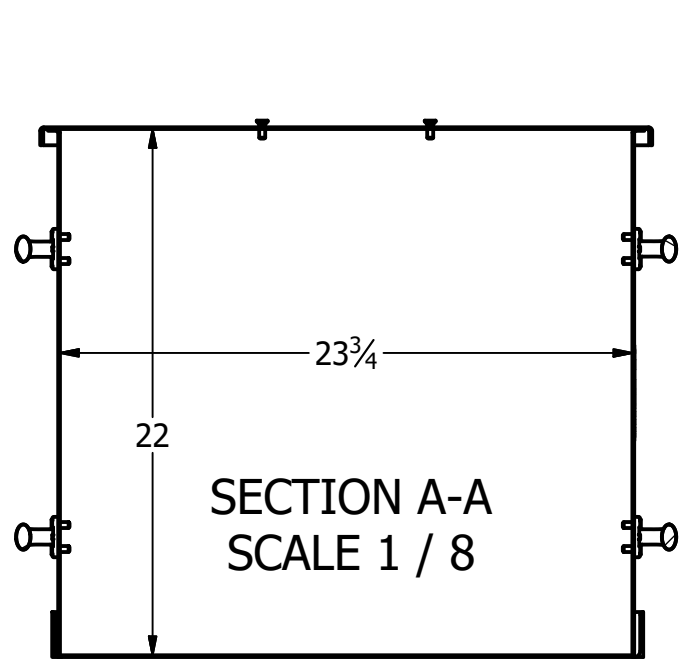


PLAN ELEVATION

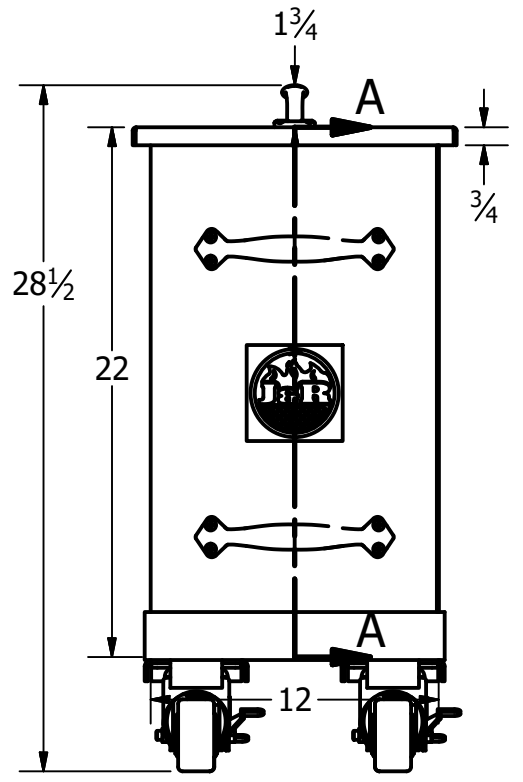
**NOTE: ASH BIN MADE
OUT OF HEAVY DUTY
14 GAUGE
STAINLESS STEEL**



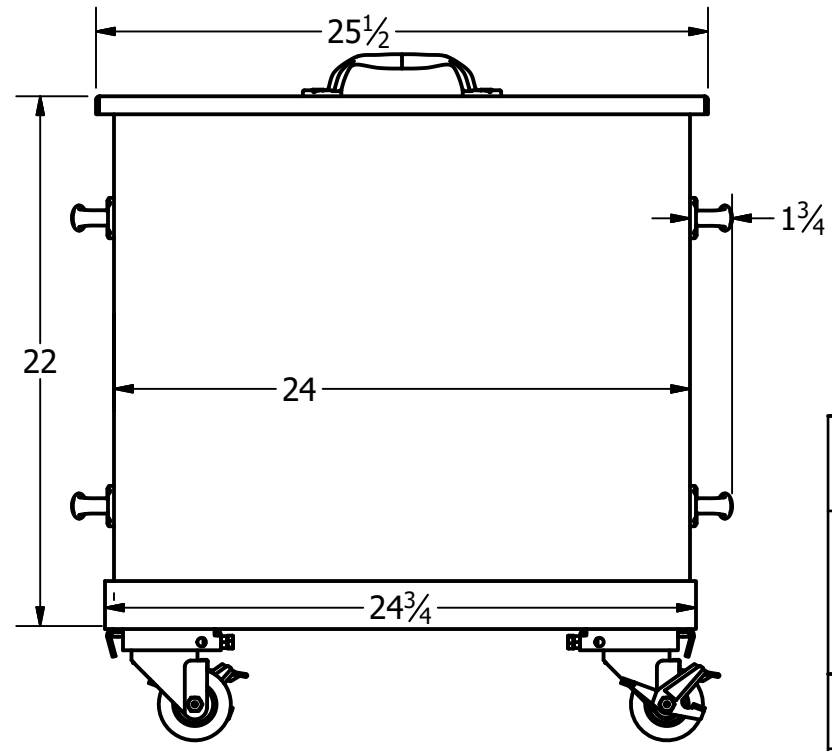
ORTHOGRAPHIC



**SECTION A-A
SCALE 1 / 8**



FRONT ELEVATION



RIGHT SIDE

**THIS DRAWING IS THE PROPERTY
OF J&R MANUFACTURING,
WHICH RESERVES THE RIGHT
TO MODIFY THE "AS-BUILT"
VERSION OF THE DEPICTED UNIT
AS NEEDED FOR SAFETY,
CODE APPROVAL, OR
PRODUCTION EFFICIENCY PURPOSES.**

J&R Manufacturing			
TITLE Ash Cart Bin with Dolly - J&R Part Number: 9745			
DRAWN S. Higgins		DATE 6/23/2017	
SIZE B	DWG NO 11155 - Ash Cart - Single Cart Assembly	REV V3	
SCALE VIEW1 SCALE 1 / 8	SHEET 1 OF 1		