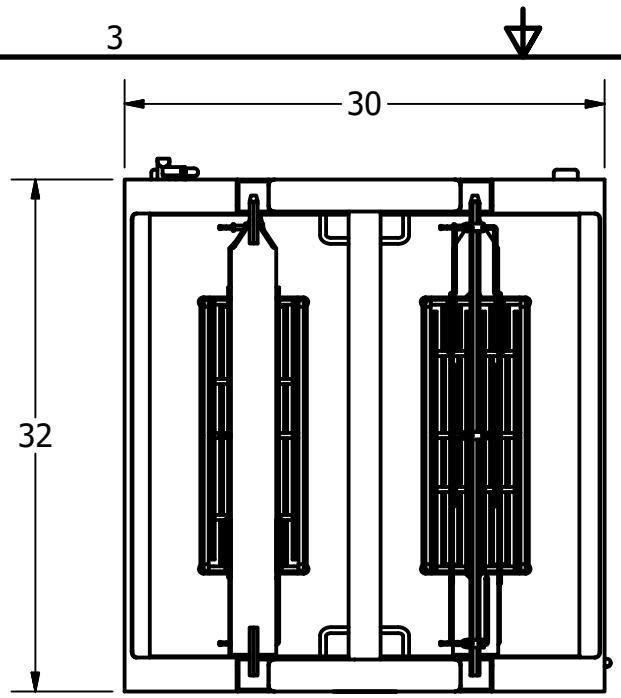
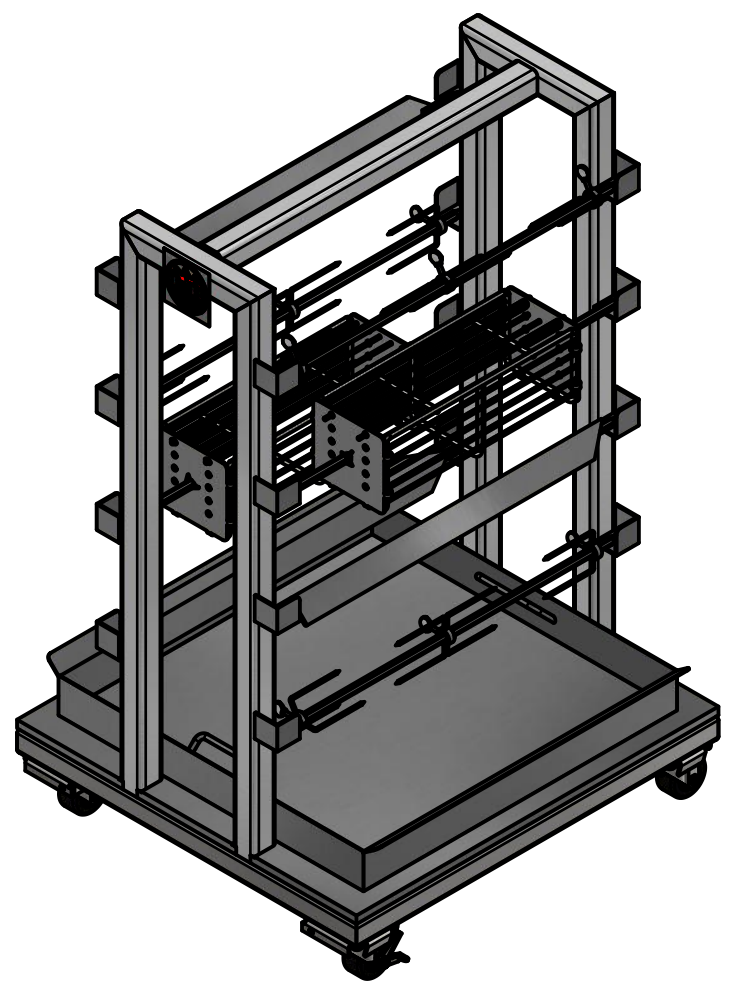


**J&R MANUFACTURING
SPIT CART**

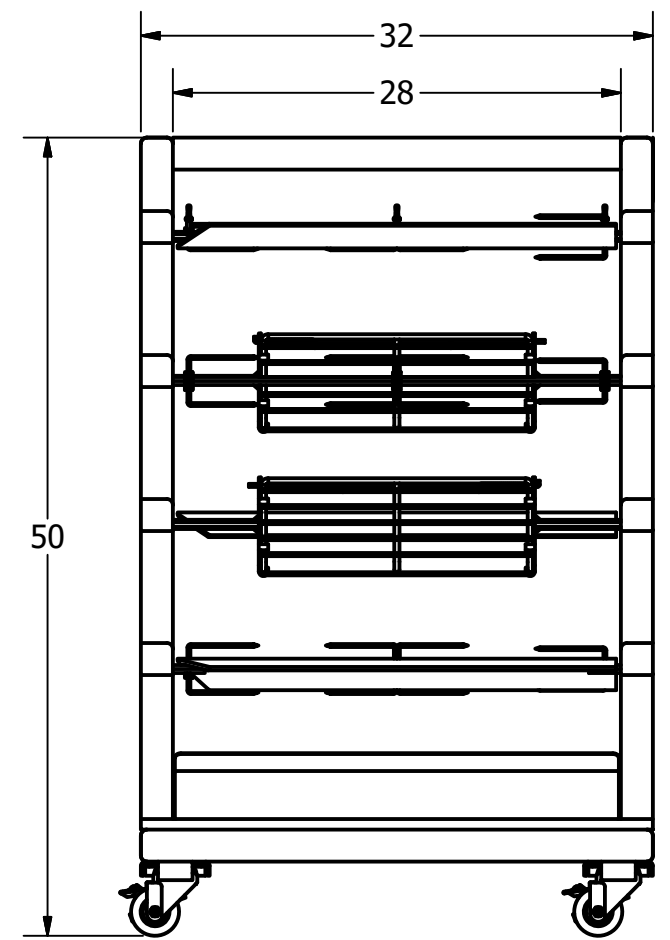
**J&R PART NUMBER: 9748
PRICE & DIMENSIONS
MAY VARY DEPENDING
ON SPIT LENGTH**



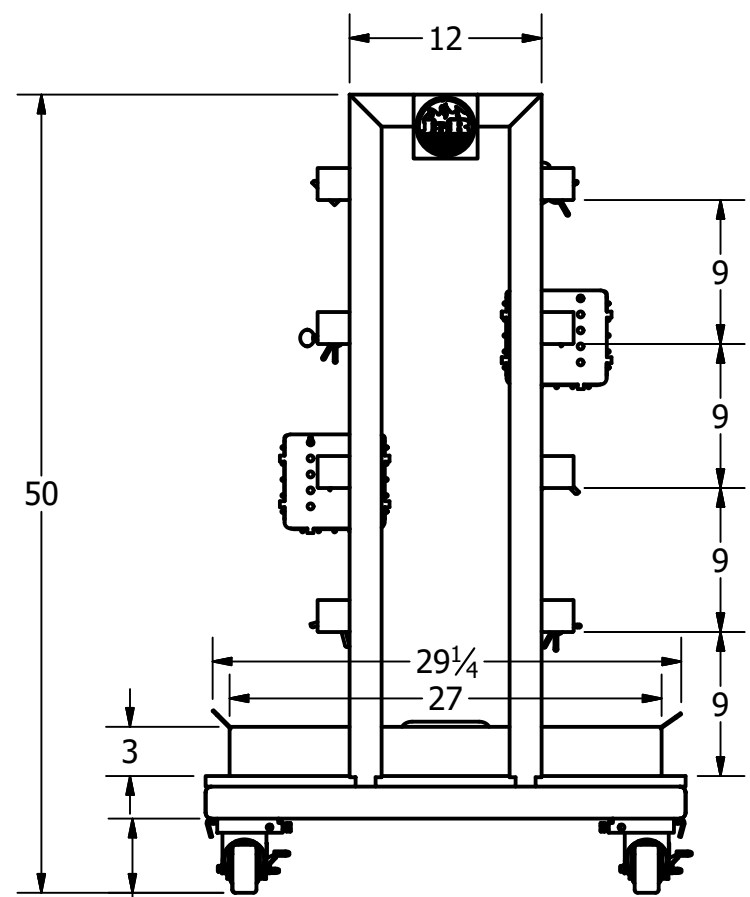
PLAN ELEVATION



ORTHOGRAPHIC



SIDE VIEW



FRONT ELEVATION

THIS DRAWING IS THE PROPERTY
OF J&R MANUFACTURING,
WHICH RESERVES THE RIGHT
TO MODIFY THE "AS-BUILT"
VERSION OF THE DEPICTED UNIT
AS NEEDED FOR SAFETY,
CODE APPROVAL, OR
PRODUCTION EFFICIENCY PURPOSES.

J&R Manufacturing

TITLE Standard Stainless Steel Spit Cart - J&R Part Number: 9748			
DRAWN S. Higgins		DATE 7/20/2017	
SIZE B	DWG NO 11146 - Rotisserie Spit Cart - PN 9748	REV V1	
SCALE VIEW1 SCALE 1/12	SHEET 1 OF 1		