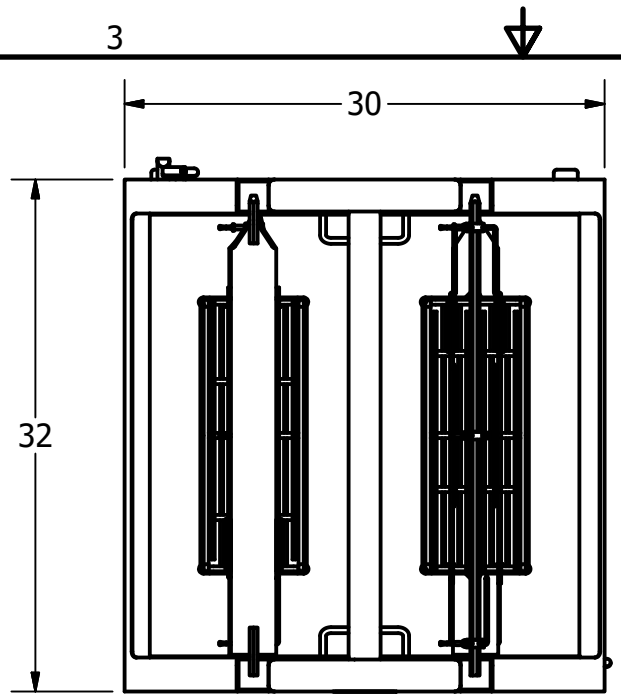
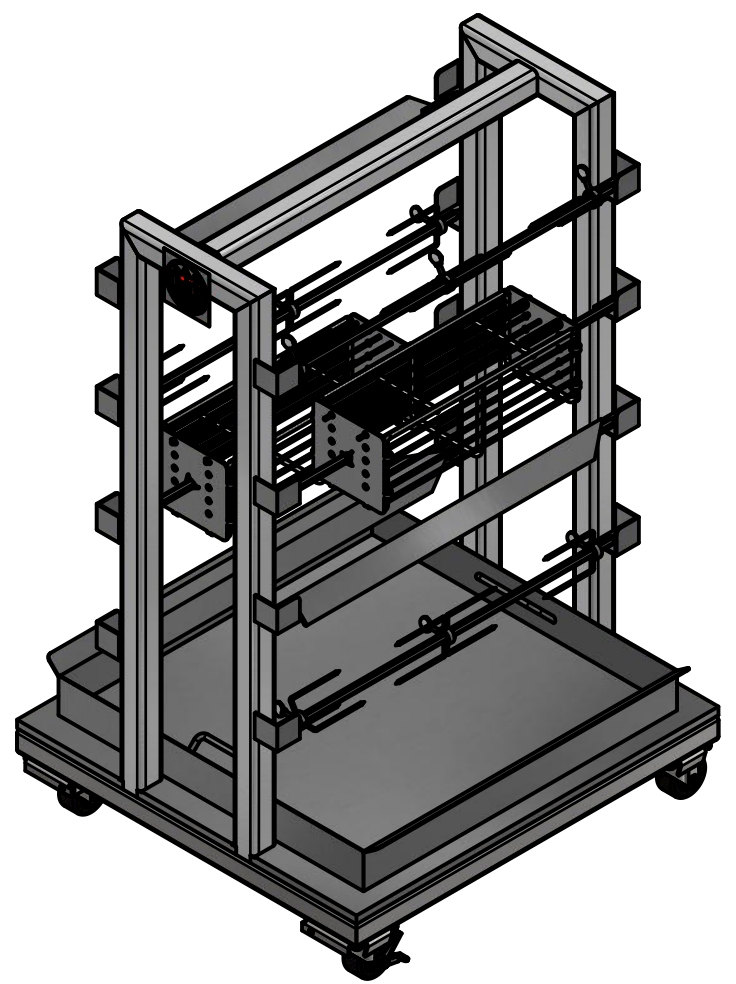


**J&R MANUFACTURING  
SPIT CART**

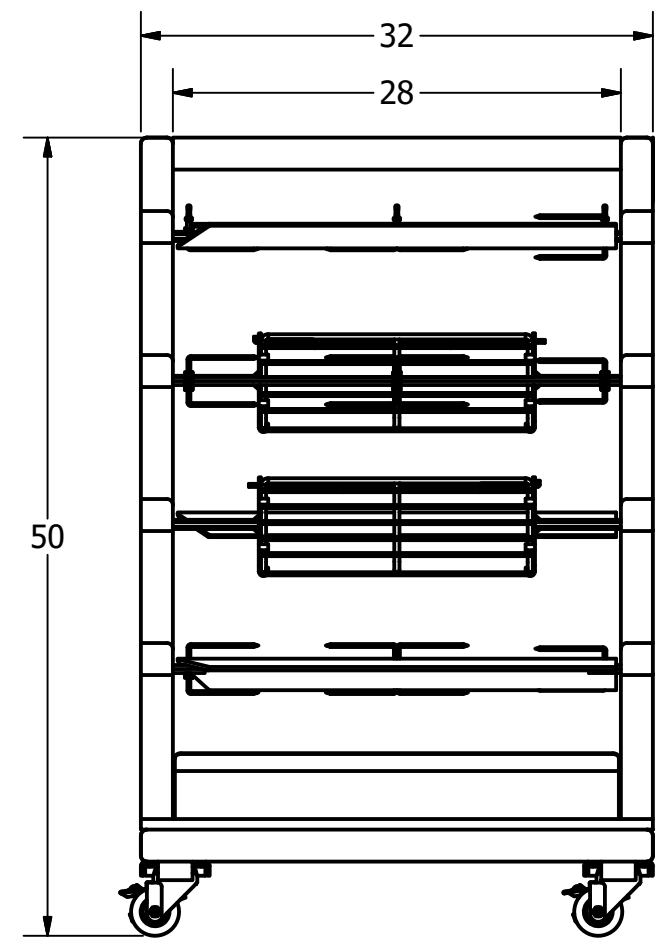
**J&R PART NUMBER: 9748  
PRICE & DIMENSIONS  
MAY VARY DEPENDING  
ON SPIT LENGTH**



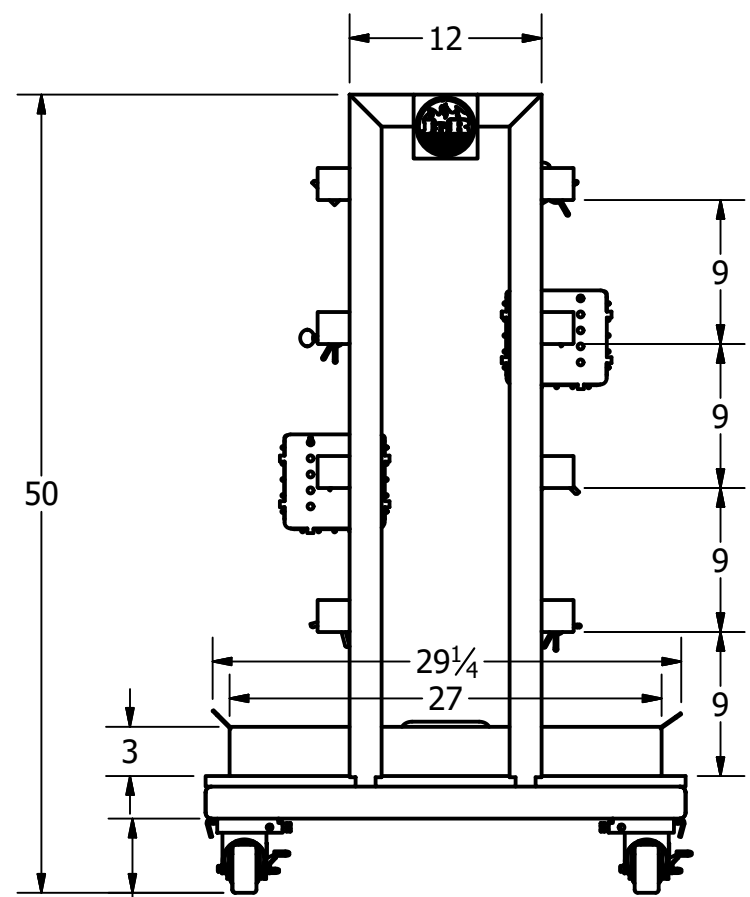
**PLAN ELEVATION**



**ORTHOGRAPHIC**



**SIDE VIEW**



**FRONT ELEVATION**

THIS DRAWING IS THE PROPERTY  
OF J&R MANUFACTURING,  
WHICH RESERVES THE RIGHT  
TO MODIFY THE "AS-BUILT"  
VERSION OF THE DEPICTED UNIT  
AS NEEDED FOR SAFETY,  
CODE APPROVAL, OR  
PRODUCTION EFFICIENCY PURPOSES.

**J&R Manufacturing, Inc.**

TITLE  
Standard Stainless Steel Spit Cart - J&R Part Number:  
9748

DRAWN S. Higgins DATE 7/20/2017

|                  |  |                  |
|------------------|--|------------------|
| SIZE<br><b>B</b> | DWG NO<br>11146 - Rotisserie Spit Cart - PN 9748 | REV<br><b>V1</b> |
|------------------|--|------------------|

SCALE VIEW1 SCALE 1/12 SHEET 1 OF 1