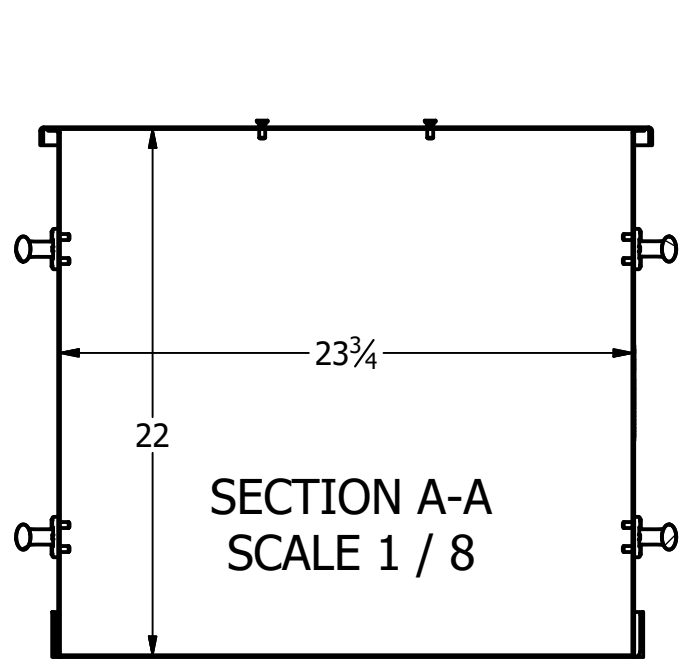


**PLAN ELEVATION**

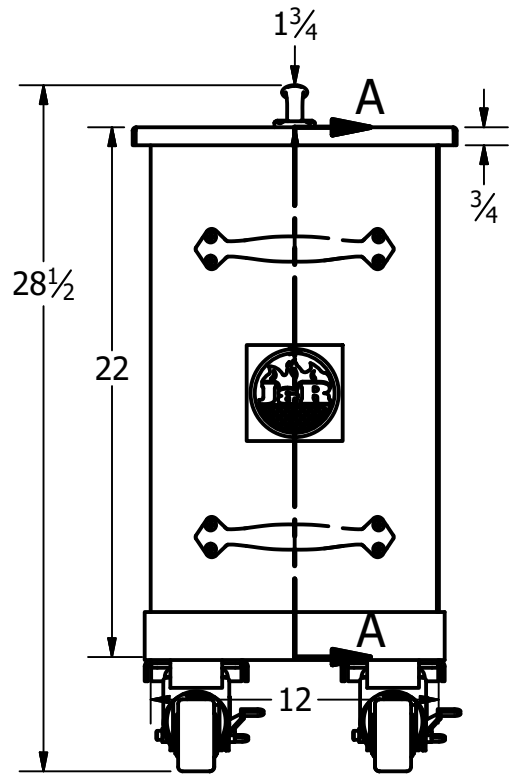
**NOTE: ASH BIN MADE  
OUT OF HEAVY DUTY  
14 GAUGE  
STAINLESS STEEL**



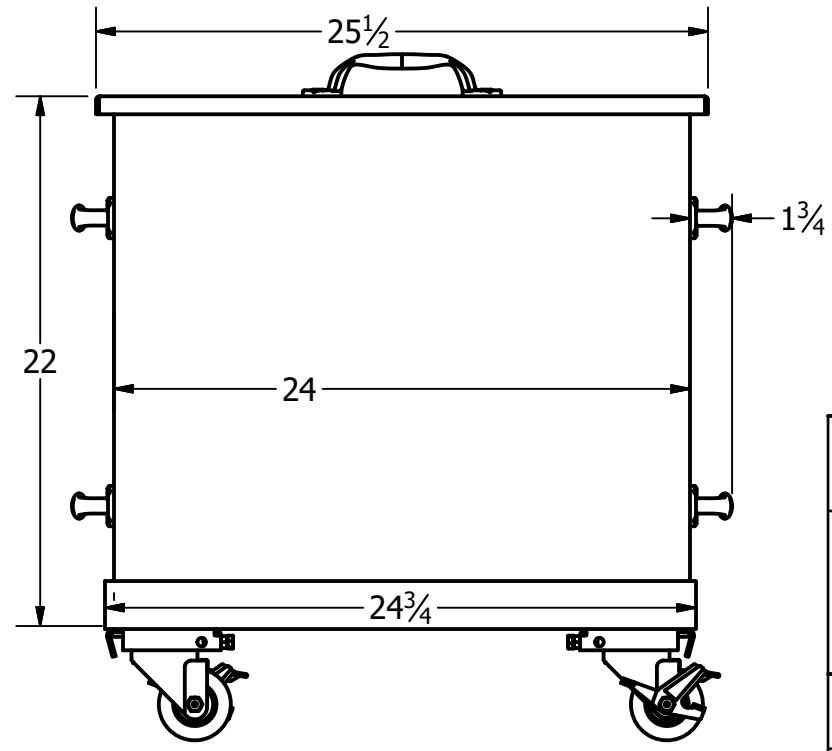
**ORTHOGRAPHIC**



**SECTION A-A  
SCALE 1 / 8**



**FRONT ELEVATION**



**RIGHT SIDE**

**THIS DRAWING IS THE PROPERTY  
OF J&R MANUFACTURING,  
WHICH RESERVES THE RIGHT  
TO MODIFY THE "AS-BUILT"  
VERSION OF THE DEPICTED UNIT  
AS NEEDED FOR SAFETY,  
CODE APPROVAL, OR  
PRODUCTION EFFICIENCY PURPOSES.**

<b>J&amp;R Manufacturing, Inc.</b>			
TITLE <b>Ash Cart Bin with Dolly - J&amp;R Part Number: 9745</b>			
DRAWN S. Higgins		DATE 6/23/2017	
SIZE <b>B</b>	DWG NO 11155 - Ash Cart - Single Cart Assembly	REV <b>V3</b>	
SCALE VIEW1 SCALE 1 / 8	SHEET 1 OF 1		